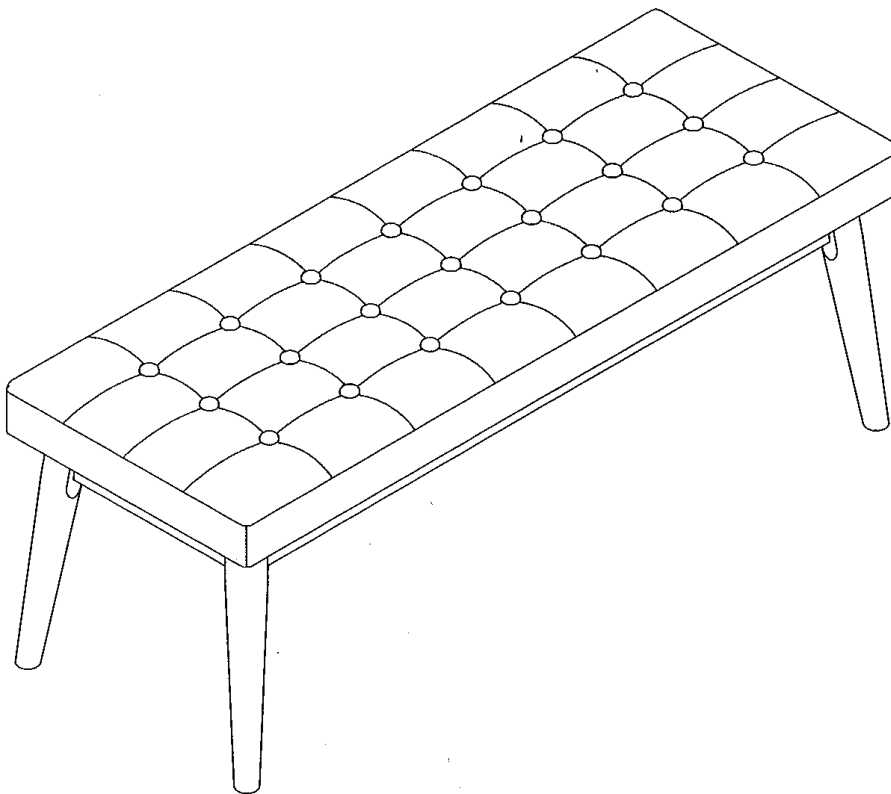
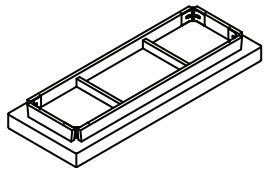





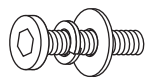

BENCH
CF6019



PART LIST

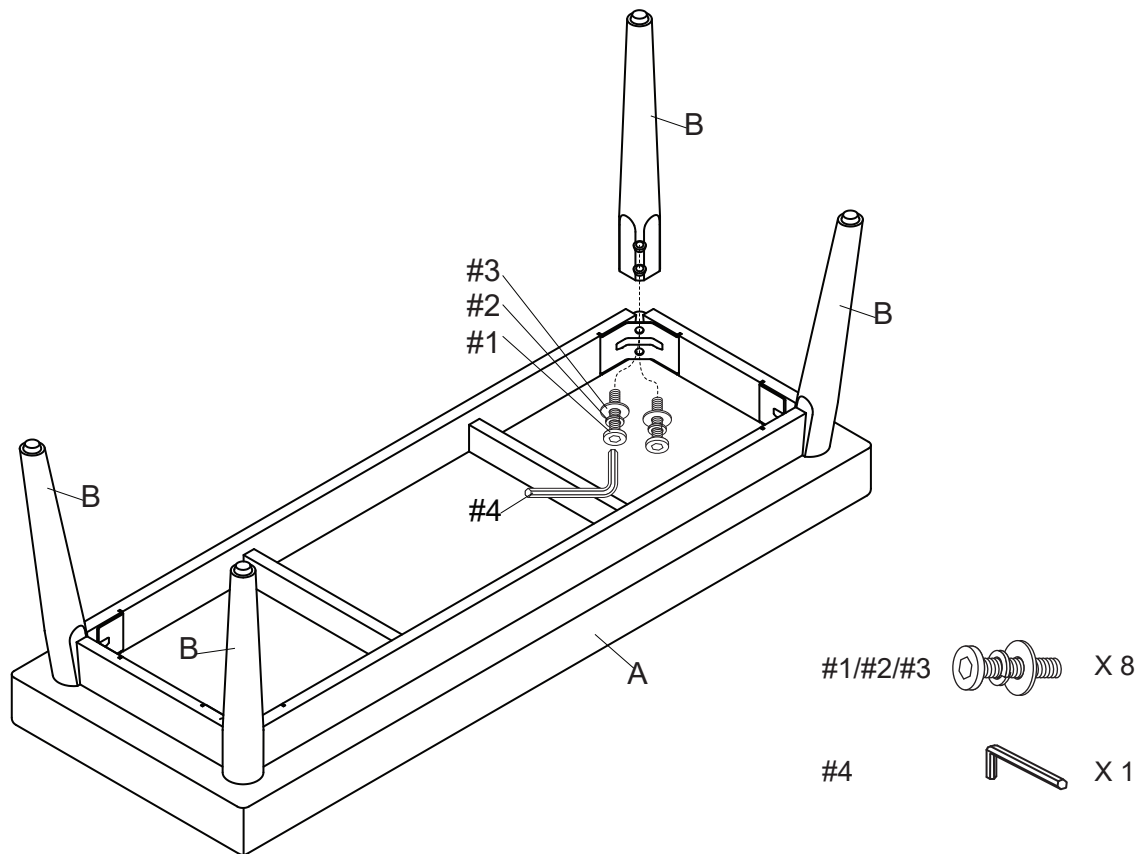
<div data-bbox="103 152 151 206" data-label="Text"> <p>A</p> </div> 	<div data-bbox="383 152 430 206" data-label="Text"> <p>B</p> </div> 
<p>Top 1 PC</p>	<p>Leg 4 PCS</p>

HARDWARE LIST

<div data-bbox="103 801 263 855" data-label="Text"> <p>#1/#2/#3</p> </div>  <p>Ø 5/16" * 38mm</p>	<div data-bbox="518 801 566 855" data-label="Text"> <p>#4</p> </div> 
<p>#1 Bolt 9 PCS (Extra 1) #2 Spring Washer 9 PCS (Extra 1) #3 Flat Washer 9 PCS (Extra 1)</p>	<p>Allen Wrench 1 PC</p>

Step 1. Carefully turn top (part A) upside down on a soft flat surface, such as carpet, as shown below. Attach legs (part B) to top (part A) using bolts (part #1), spring washers (part #2), flat washers (part #3) and allen wrench (part #4).

NOTE: Please do not fully tighten bolts until unit is fully assembled.



Step 2. Carefully turn unit upright.

